



Kineteck Industry

Galati - Romania

TEL./FAX: 0236-466.372

TEL./FAX: 0236-313.013

www.kineteck.ro

E-mail: office@kineteck.ro

Mobil: 0768-463.636

Mobil: 0723-694.919

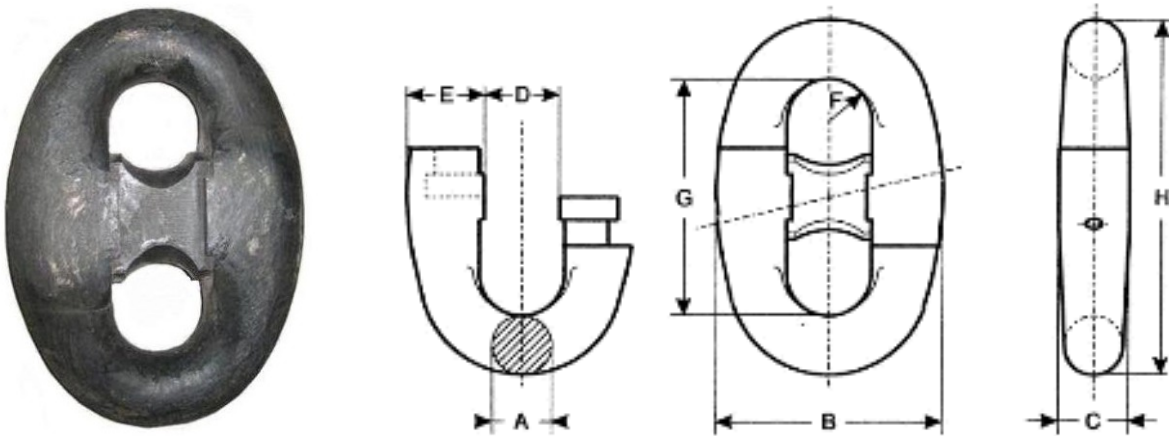
Mobil: 0765-998.277

Mobil: 0766-360.062

Kenter connecting link

Used in marine environment.

Used to connect studlink and studless chain with other elements.



Diameter mm	A mm	B mm	C mm	D mm	E mm	F mm	G mm	H mm	Weight Kg
14	14	59	21	16	22	9	56	84	0.5
16	16	67	24	18	25	11	64	96	0.6
17.5	18	73	27	20	27	12	70	105	0.8
19	19	79	29	21	29	13	76	114	1
20.5	21	86	31	23	32	14	82	123	1.6
22	22	92	33	24	34	15	88	132	1.6
24	24	100	36	27	37	16	96	144	2
26	26	109	40	29	40	17	104	156	2.7
28	28	117	43	31	43	18	112	168	3.3
30	30	125	46	33	47	20	120	180	3.9
32	32	134	49	36	50	21	128	192	4.6
34	34	142	52	38	53	22	136	204	5.8
36	36	150	55	40	56	24	144	216	6.6
38	37	159	58	42	59	25	152	228	7.8
40	40	167	61	45	62	26	160	240	9.8
42	42	176	64	47	65	28	168	252	10.6
44	44	184	67	49	68	29	176	264	12
46	46	192	70	51	71	30	184	276	14
48	48	201	73	53	74	32	192	288	15.5
50	50	209	76	56	78	33	200	300	17.5
52	52	217	79	58	81	34	208	312	20



Kinotech Industry

Galati - Romania

TEL./FAX: 0236-466.372

TEL./FAX: 0236-313.013

www.kinotech.ro

E-mail: office@kinotech.ro

Mobil: 0768-463.636

Mobil: 0723-694.919

Mobil: 0765-998.277

Mobil: 0766-360.062

54	54	226	82	60	84	36	216	324	22
56	56	234	85	62	87	37	224	336	26
58	58	242	88	65	90	38	232	348	30
60	60	251	91	67	93	40	240	360	31.5
62	62	259	94	70	96	41	248	372	34
64	64	268	97	72	99	42	256	384	38
66	66	276	100	74	102	44	264	396	44
68	68	284	103	76	105	45	272	408	47
70	70	293	106	78	109	46	280	420	52
73	73	305	111	81	113	48	292	438	57.5
76	76	318	116	85	118	50	304	456	65
78	78	326	119	87	121	51	312	468	70
81	82	343	125	90	127	54	328	492	82
84	84	351	128	94	130	55	336	504	88
87	87	364	132	97	135	57	348	522	95
90	90	376	137	101	140	59	360	540	104
92	92	385	140	103	143	61	368	552	112
95	95	397	144	106	147	63	380	570	123
97	97	405	147	108	150	64	388	582	131
100	100	418	152	112	155	66	400	600	144
102	102	426	155	114	158	67	408	612	151

