



## MECHANIC DYNAMOMETER DIN 13

### DIN 13

#### Technical specifications

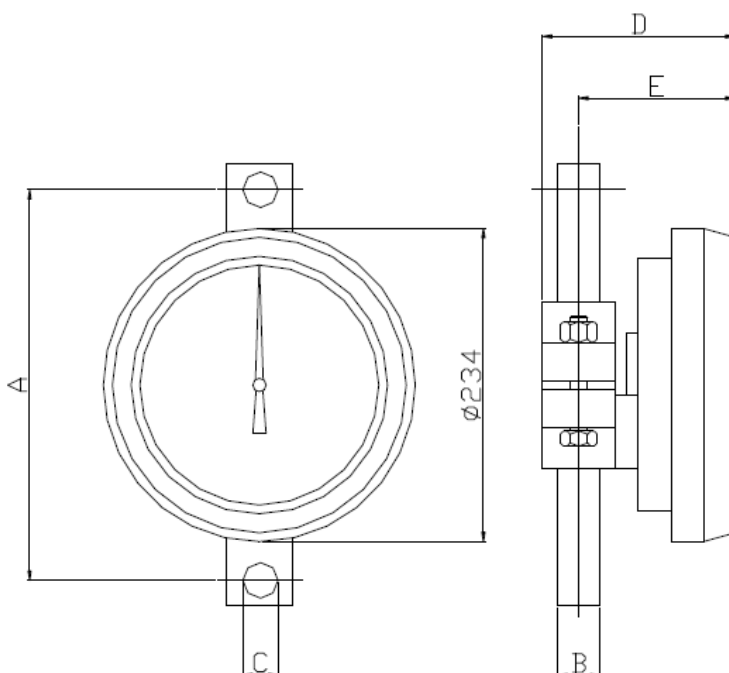
- ▶ Tensile mechanical dynamometer fitted with forged steel elastic cell
- ▶ For external use
- ▶ Operating temperature: -30 , +60°C
- ▶ Painted aluminium case
- ▶ Transparent, made up of polycarbonate
- ▶ DN 200 mm analogue dial
- ▶ Omega shackle connections
- ▶ Zero manual adjustment
- ▶ Admitted overload: up to 180% of full scale value
- ▶ Accuracy: +/- 1% (o.f.s.v.)
- ▶ Safety degree: 5
- ▶ No metrical check required

#### Standard fittings

- ▶ SIT Reference calibration report
- ▶ CE conformity declaration

#### Accessories on request

- ▶ Maximum index
- ▶ "OMEGA" shackles
- ▶ Hinged hook fitted with shackle connections



DIN 13							
PORTATA [kg]	DIVISIONE [kg]	PESO [kg]	DIMENSIONI [mm]			D	E
			A	B	∅C		
300	1	8	268	25	20	155	134
500	1	8	268	25	20	155	134
1000	2	8	268	25	20	155	134
2000	5	8	268	25	20	155	134
3000	10	8	268	25	20	155	134
6000	20	13	282	35	26	179	158
10000	20	13	298	50	36	179	158