



MECHANIC DYNAMOMETER DIN 12

DIN 12

Technical specifications

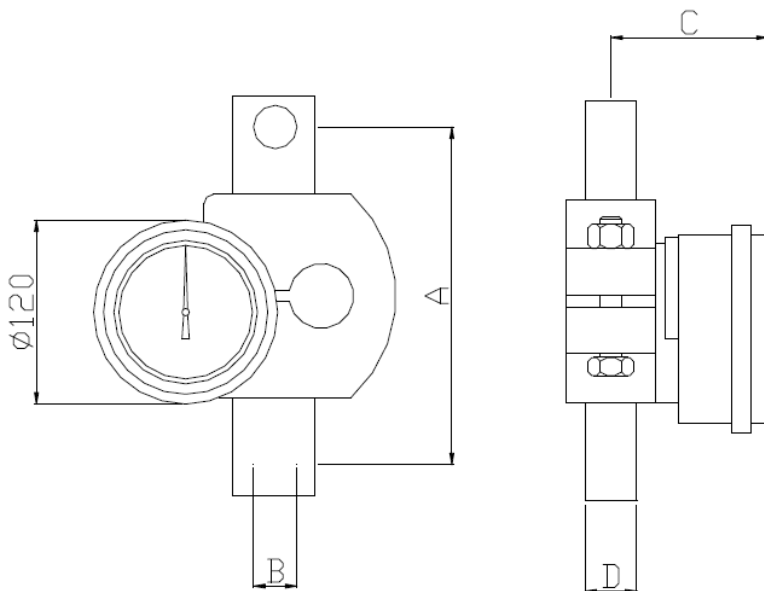
- ▶ Steel elastic cell tensile and compression mechanical dynamometer
- ▶ Compact and small size instrument
- ▶ For external use
- ▶ Operating temperature: -30 , +60°C
- ▶ Painted aluminium case
- ▶ DN 100 mm analogue dial
- ▶ Omega shackle connections (tensile version)
- ▶ Admitted overload: up to 180% of full scale value
- ▶ Linearity and repeatability accuracy: +/- 1% (o.f.s.v.)
- ▶ Safety degree: 5
- ▶ No metrical check required

Standard fittings

- ▶ SIT Reference calibration report
- ▶ EC conformity declaration

Accessories on request

- ▶ Maximum index
- ▶ "OMEGA" shackle
- ▶ Hinged hook fitted with shackle connections
- ▶ Bag to carry the instrument



DIN 12						
PORTATA [kg]	DIVISIONE [kg]	PESO [kg]	DIMENSIONI [mm]			
			A	ØB	C	D
300	2	6	192	20	74	25
500	3	6	192	20	74	25
1000	5	6	192	20	74	25
2000	10	6	192	20	74	25
3000	20	6	192	20	74	25
6000	25	11	206	26	98	35
10000	50	11	222	36	98	50