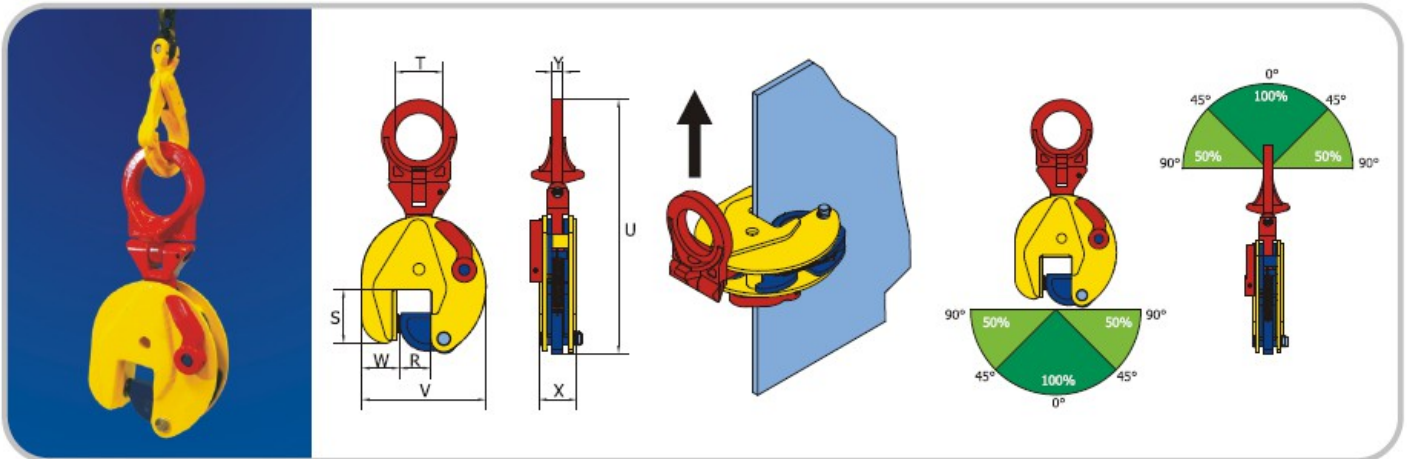




Vertical clamp type TSU / STSU

- For lifting and transporting of steel plates and structures from all positions (horizontal, vertical and sidelong).
- Articulated lifting shackle.
- The TSU /STSU lifting clamps are equipped with a safety mechanism, ensuring the clamp does not slip when lifting force is applied and when load is being lowered.
- The clamp is locked in closed as well as in open position.
- Lifting capacity and jaw opening are clearly engraved in the body.
- Type STSU is supplied with enlarged jaw opening.



Ref. nr.	Type	Capacity (kg)	Jaw-opening (R) (mm)	Dimensions in mm							Weight (kg)
				S	T	U	V	W	X	Y	
855000	0.75 TSU	750	0 - 13	47	30	203	100	35	37	10	1,7
865100	1 TSU	1000	0 - 18	55	50	295	125	38	47	14	3,5
865800	1 TSEU	1000	0 - 25	55	50	295	142	38	47	14	3,9
855100	1.5 TSU *	1500	0 - 20	80	70	370	165	55	56	16	7,2
855601	2 TSEU *	2000	0 - 35	80	70	370	185	55	56	16	7,3
865331	3 TSEU *	3000	0 - 35	80	70	370	185	55	56	16	8
865441	4.5 TSU	4500	0 - 25	85	70	430	200	60	77	20	15,6
865301	4,5 TSEU	4500	0 - 45	85	70	430	230	60	77	20	16,7
865401	6 TSU	6000	0 - 32	114	78	527	225	78	78	32	21
865601	7.5 TSU	7500	0 - 40	112	78	565	245	76	86	32	26
855400	7.5 TSEU	7500	0 - 55	112	78	565	267	70	86	32	30
855405	9 TSU	9000	0 - 55	112	78	565	267	70	86	45	30
865901	12 TSU	12000	0 - 52	148	85	650	295	100	94	48	42
955150	15 TSU	15000	0 - 76	209	86	760	373	135	105	50	74
955170	17 TSU	17000	0 - 76	209	86	760	373	135	105	50	74
955200	20 TSU	20000	0 - 80	245	100	900	465	150	140	71	151
955250	25 TSU	25000	5-85	245	100	900	465	145	140	71	151
955300	30 TSU	30000	10-90	245	100	900	465	140	140	71	156
856200	6 STSU	6000	40 - 90	115	75	527	275	70	78	32	32
856300	7.5 STSU	7500	50-100	110	75	565	315	70	82	32	28
855305	9 STSU	9000	50-100	110	75	565	315	70	82	45	28
856401	12 STSU	12000	50-100	153	86	650	345	100	94	48	45
966150	15 STSU	15000	80 - 150	209	86	765	450	128	106	50	83
966200	20 STSU	20000	80 - 150	249	100	900	640	148	140	71	156
966250	25 STSU	25000	80 - 150	249	100	900	640	148	140	71	156
966300	30 STSU	30000	80 - 150	249	100	900	640	148	155	71	161