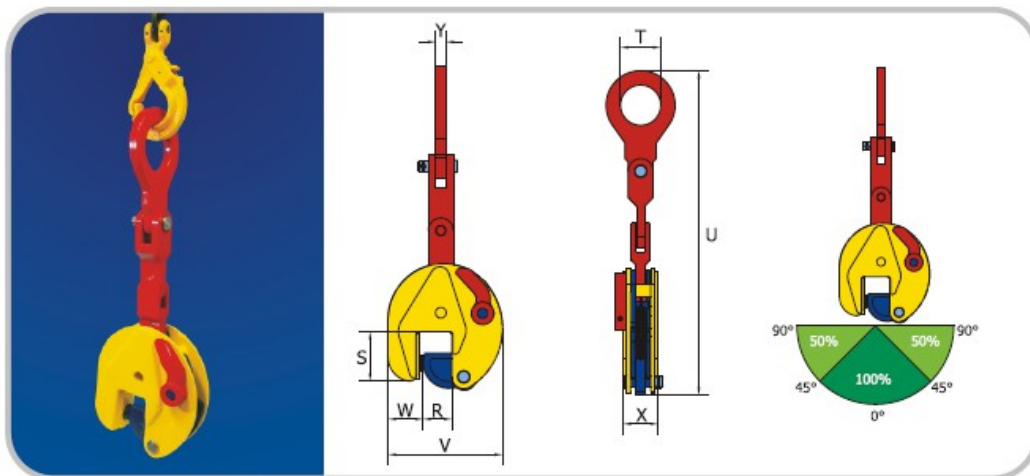




Vertical clamp type TSMP / STSMP

- The Terrier lifting clamps TS and STS are also available in MP-version.
- MP-version means that the lifting shackle has a three way articulated linkage arrangement.
- For lifting and transporting of all steel plates and structures.
- When attached to a fixed load bearing arm (e.g. spreader bar) the clamp will retain its flexibility and no chain is needed.
- Due to length of the three way linkage arrangement the clamp can be lowered further between standing plates or structures.
- Lifting capacity and jaw opening are clearly engraved in the body.
- Type STSMP is supplied with an enlarged jaw opening.



Ref. nr.	Type	Capacity (kg)	Jaw-opening (R) (mm)	Dimensions in mm							Weight (kg)
				S	T	U	V	W	X	Y	
850010	0.75 TSMP	750	0 - 13	47	30	310	100	35	37	10	2
850810	1 TSMP	1000	0 - 18	55	45	405	125	38	47	15	4,2
850818	1 TSEMP	1000	0 - 25	55	45	405	142	38	47	15	4,5
850110	1.5 TSMP *	1500	0 - 20	80	65	515	165	55	56	17	7,6
850911	2 TSEMP *	2000	0 - 35	80	65	515	185	55	56	17	7,7
850221	3 TSEMP *	3000	0 - 35	80	65	515	185	55	56	17	8
850211	4.5 TSMP	4500	0 - 25	85	70	655	200	60	77	20	18,1
851401	4.5 TSEMP	4500	0 - 45	85	70	655	230	60	77	20	19,2
850311	6 TSMP	6000	0 - 32	114	75	760	225	78	78	20	22,8
850411	7.5 TSMP	7500	0 - 40	112	75	800	245	76	86	20	28
851510	7.5 TSEMP	7500	0 - 55	112	75	800	267	70	86	20	30
851515	9 TSMP	9000	0 - 55	112	75	800	267	70	86	20	32
850511	12 TSMP	12000	0 - 52	148	85	860	295	100	94	26	46
915010	15 TSMP	15000	0 - 76	209	86	980	373	135	106	50	82
917010	17 TSMP	17000	0 - 76	209	86	980	373	135	106	50	82
920010	20 TSMP	20000	0 - 80	245	100	1200	465	150	140	66	164
925010	25 TSMP	25000	5-85	245	100	1200	465	145	140	66	164
852210	6 STSMP	6000	40 - 90	115	75	760	275	70	78	20	24
854310	7.5 STSMP	7500	50-100	110	75	800	315	70	82	20	28
853315	9 STSMP	9000	50-100	110	75	800	315	70	82	20	30
852411	12 STSMP	12000	50-100	153	85	860	345	100	94	26	47
921510	15 STSMP	15000	80 - 150	220	90	980	450	128	106	50	84
922010	20 STSMP	20000	80 - 150	249	100	1200	640	148	140	66	167
922510	25 STSMP	25000	80 - 150	249	100	1200	640	148	140	66	167