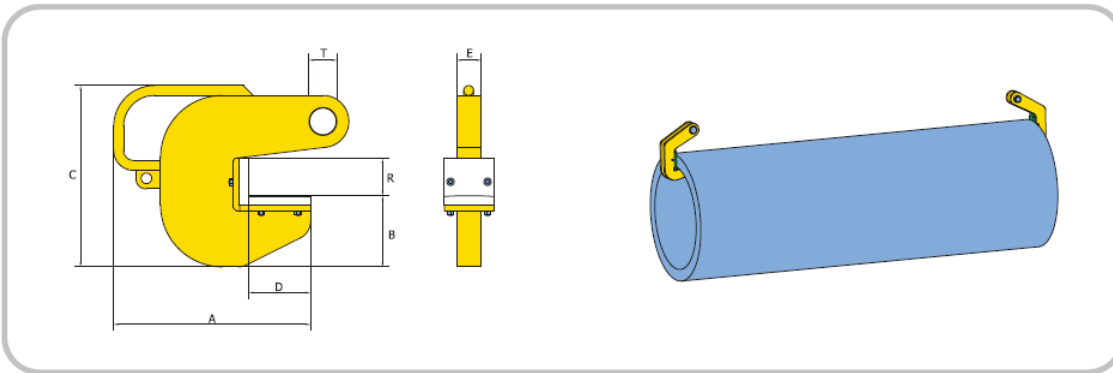
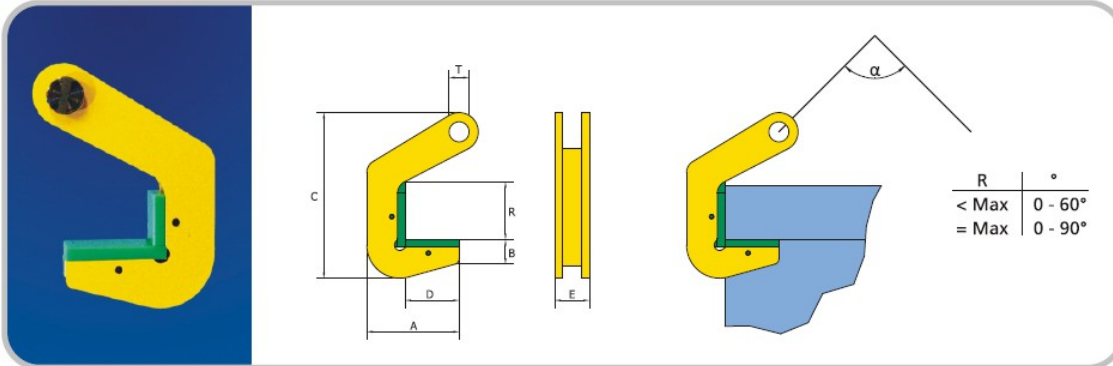




## Horizontal clamp type TPH

- For horizontal lifting and transporting of steel and concrete pipes.
- Compact shape and relatively low own weight with a high lifting capacity.
- The surface is equipped with special plastic.
- The Terrier TPH will be delivered per pair.
- Plastic cover is easy to change.



Ref. nr.	Type	Capacity (kg/pair)	Jaw-opening (R) (mm)	Dimensions in mm						Weight (kg/pc)
				A	B	C	D	E	T	
960150	1.5 TPH	1500	40	120	32	185	70	41	16	1,6
960300	3 TPH	3000	40	120	32	185	70	41	16	1,6
960400	4 TPH	4000	50	140	58	180	70	41	26	3
960600	6 TPH	6000	50	140	58	180	70	41	26	3
960800	8 TPH	8000	70	140	58	200	70	45	26	3,6
960810	10TPH	10000	70	140	58	200	70	85	26	5
960812	12TPH	12000	70	140	58	200	70	85	26	6
960815	15TPH	15000	70	155	75	250	70	100	26	10
960820	20TPH	20000	70	155	75	250	70	100	26	16
965050	5 TPH-HD	5000	60	271	85	230	100	20	26	7
965100	10 TPH-HD	10000	60	271	85	230	100	30	26	10
965200	20 TPH-HD	20000	60	290	105	270	100	35	36	14
965300	30 TPH-HD	30000	60	310	115	293	100	40	43	19
965600	60 TPH-HD	60000	60	310	120	293	100	60	67	35