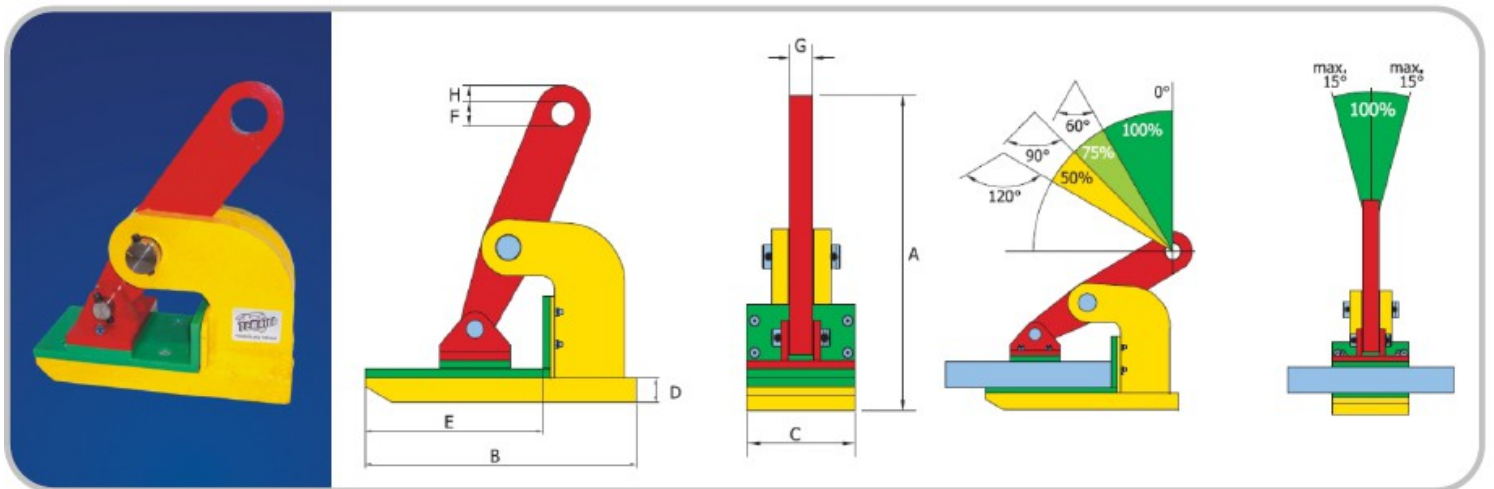




Horizontal clamp type TNMH

- The TNMH lifting clamp is suited for transporting and lifting objects with a fragile surface. Like stainless steel, wood panels, aluminium etc.
- The jaw and cam is covered with a high quality pressure resistant fabric.
- These clamps are available with a capacity from 1000 kg per pair till 6000 kg per pair.



Ref. nr.	Type	Capacity (kg/pair)	Jaw-opening (R) (mm)	Dimensions in mm								Weight (kg/pc)
				A	B	C	D	E	F	G	H	
862810	1 TNMH	1000	0 - 25	154	140	65	15	95	20	15	10	2,5
862820	2 TNMH	2000	0 - 45	270	225	90	23	150	30,5	15	10	9
862830	3 TNMH	3000	0 - 45	275	225	90	28	150	30,5	15	10	13
862840	4 TNMH	4000	0 - 50	305	250	105	28	160	30,5	20	15	16
862860	6 TNMH	6000	0 - 50	310	250	120	33	160	30,5	20	15	17