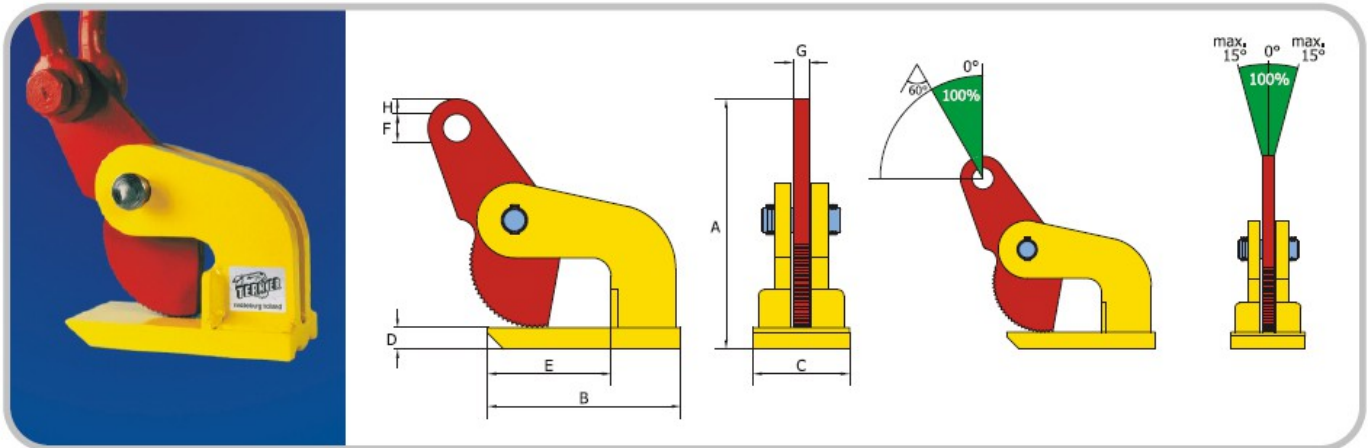




Horizontal clamp type TDH

- For lifting and transporting of thin sheets that deflect when being lifted. Compact shape and relatively low own weights, with a high lifting capacity. The Terrier TDH horizontal lifting clamps must always be used in pairs (or multiples thereof).



Ref. nr.	Type	Capacity (kg/pair)	Jaw-opening (R) (mm)	Dimensions in mm								Weight (kg/pc)
				A	B	C	D	E	F	G	H	
970100	1 TDH	1000	0 - 15	167	140	65	10	100	22,5	15	13	3
970200	2 TDH	2000	0 - 35	235	180	80	20	115	26	15	13	8
970400	4 TDH	4000	0 - 50	310	235	130	35	130	40	20	25	20
970600	6 TDH	6000	0 - 50	310	235	130	35	130	40	20	25	21