



Kinotech Industry

Galati - Romania

TEL./FAX: 0236-466.372

TEL./FAX: 0236-313.013

www.kinotech.ro

E-mail: office@kinotech.ro

Mobil: 0768-463.636

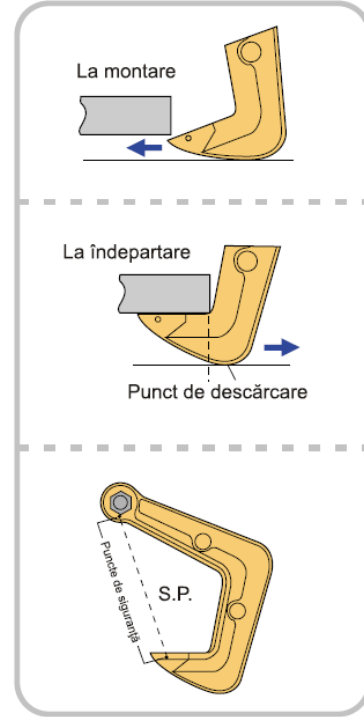
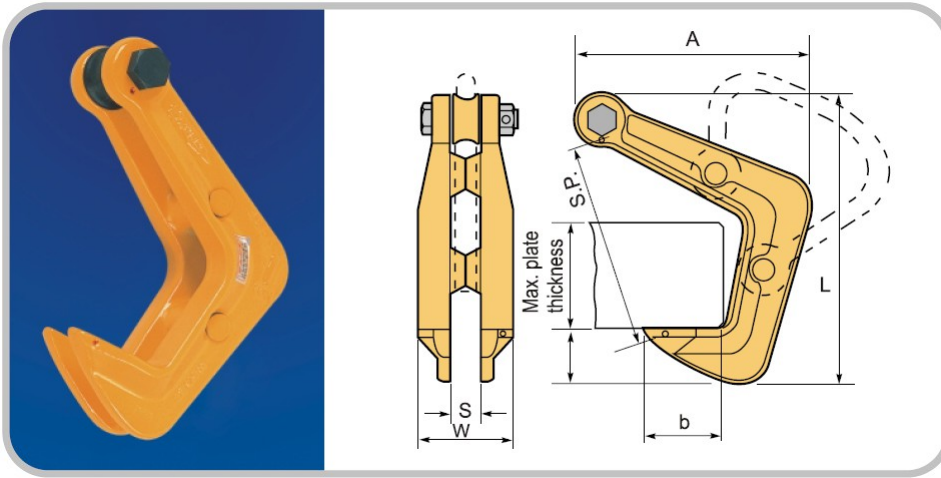
Mobil: 0723-694.919

Mobil: 0765-998.277

Mobil: 0766-360.062

Horizontal hook type HHC

- Special hook used for lifting thick steel plates and pipes.
- The pin of the hook will not damage the chain.
- The sharp tip is useful when inserted in a narrow space.
- The hook body is made of high alloyed steel, forged and heat treated.
- The HHC-G type is equipped with a handle for smooth operating.



Type	Capacity (tons)	Maximum plate thickness	L (mm)	A (mm)	B (mm)	b (mm)	S (mm)	W (mm)	S.P. (mm)	Weight (kg)
HHC 0.5	0.5	58	152	121	27	45	30	63	111	1.1
HHC 1	1	65	178	144	33	51	40	80	126	2.1
HHC 2	2	80	223	182	42	62	54	105	154	4.5
HHC 3	3	95	264	215	49	73	65	125	187	7.8
HHC 5	5	125	342	279	60	96	85	160	243	16.5
HHC 1G	1	65	178	144	33	51	40	80	126	2.4
HHC 2G	2	80	223	182	42	62	54	105	154	4.9
HHC 3G	3	95	264	215	49	73	65	125	187	8.4
HHC 5G	5	125	342	279	60	96	85	160	243	17.2

