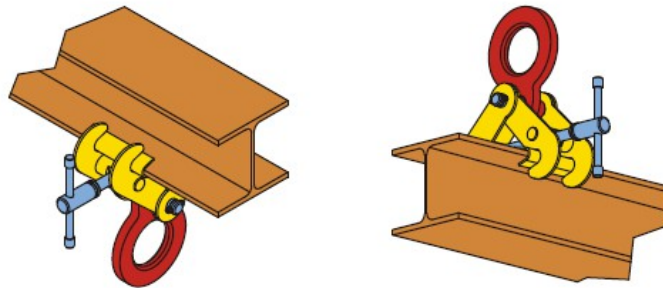
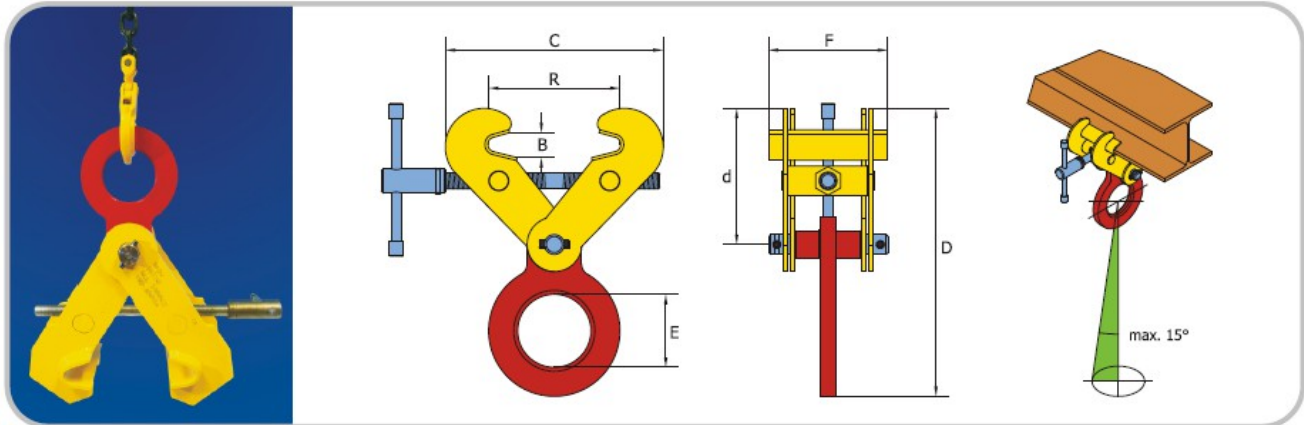




Screw clamp type FSV

- For horizontal lifting and transporting of steel beams and structures.
- Can also be attached upside down and be used as a (temporary) lifting point.
- Has equal opening and closing of both jaws for simple and quick assembly.
- Lifting capacity and jaw opening are clearly engraved in the body.
- Type FSVW is identical to type FSV but is delivered without a lifting eye so you can choose your own means of fixation.



Ref. nr.	Type	Capacity (kg/pc)	Jaw-opening (R) (mm)	Dimensions in mm					Weight (kg/pc)
				B	C-max	D-max	E	F	
851400	1 FSV	1000	75 - 190	30	285	310	73	120	4
851500	2 FSV	2000	75 - 190	30	285	310	73	120	5
851600	3 FSV	3000	75 - 190	30	285	310	73	120	5
851700	4 FSV	4000	150 - 300	40	460	430	79	180	13
851800	5 FSV	5000	150 - 300	40	460	430	79	180	14
851110	10 FSV	10000	350 - 450	95	670	670	85	200	50
Ref. nr.	Type	Capacity (kg/pc)	Jaw-opening (R) (mm)	Dimensions in mm					Weight (kg/pc)
				B	C-max	d-max	E	F	
962000	2 FSVS	2000	75 - 420	30	520	377	73	120	5,5
963000	3 FSVS	3000	75 - 420	30	520	377	73	120	6,5
964000	4 FSVS	4000	150 - 560	40	708	547	79	180	13,5
965000	5 FSVS	5000	150 - 560	40	708	547	79	180	14,5
956300	3 FSVSU	3000	75 - 420	30	520	420	73	120	7
956400	4 FSVSU	4000	150 - 560	40	708	649	79	180	14
956500	5 FSVSU	5000	150 - 560	40	708	649	79	180	15