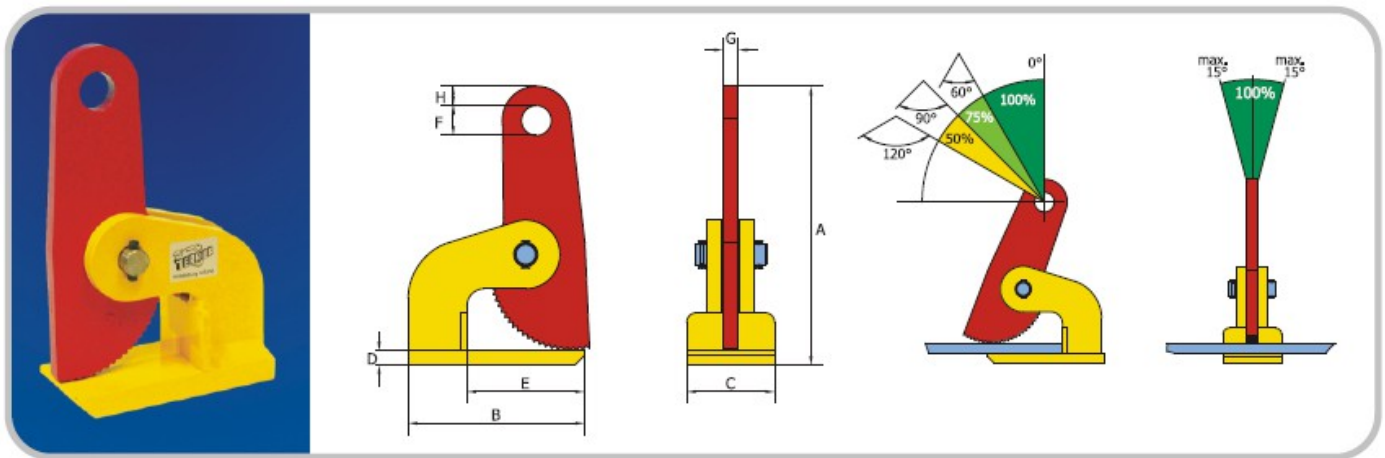




Horizontal clamp type FHX / FHSX

- For horizontal lifting and transporting of steel plates.
- The compact shape and relative light own weight with a high lifting capacity.
- The Terrier FHX/FHSX lifting clamps must always be used in pairs (or multiples thereof).
- Lifting capacity and jaw opening are clearly engraved in the body.
- The FHSX has an enlarged jaw opening.



Ref. nr.	Type	Capacity (kg/pair)	Jaw-opening (R) (mm)	Dimensions in mm								Weight (kg/pc)
				A	B	C	D	E	F	G	H	
953100	1 FHX	1000	0 - 35	188	140	65	10	100	25	15	11,5	2,6
953200	2 FHX	2000	0 - 60	290	180	90	15	115	30,5	16	19	7.5
953300	3 FHX	3000	0 - 60	293	180	90	20	118	30,5	16	19	8
953400	4 FHX	4000	0 - 60	306	220	105	25	145	30,5	20	19	13
953600	6 FHX	6000	0 - 60	306	220	110	25	145	30,5	20	19	13
953800	8 FHX	8000	0 - 60	335	225	120	35	135	30,5	30	19	18
953010	10 FHX	10000	0 - 60	335	225	120	35	135	30,5	30	19	20
953012	12 FHX	12000	0 - 60	335	225	120	35	135	30,5	30	19	21
954200	2 FHSX	2000	0 - 100	380	180	90	15	120	30,5	15	19	9
954300	3 FHSX	3000	0 - 100	390	180	90	20	120	30,5	15	19	14
954400	4 FHSX	4000	0 - 100	415	220	105	25	145	30,5	20	19	15
954600	6 FHSX	6000	0 - 100	415	220	120	25	145	30,5	20	19	16
954800	8 FHSX	8000	0 - 100	430	225	120	35	135	30,5	30	19	22
954010	10 FHSX	10000	0 - 100	430	225	120	35	135	30,5	30	19	23
954012	12 FHSX	12000	0 - 100	430	225	120	35	135	30,5	30	19	23
853820	15 FHSX	15000	0 - 150	665	350	140	35	240	45	35	28	50