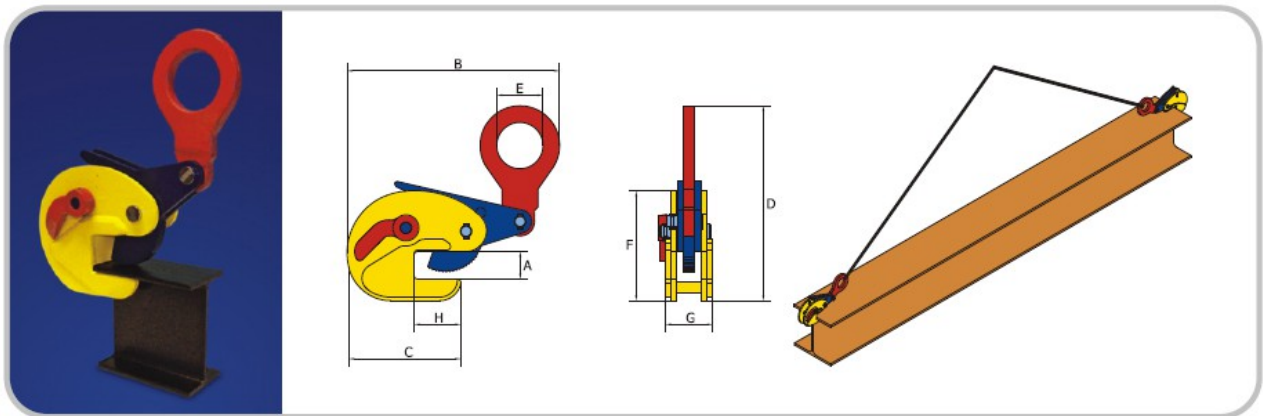
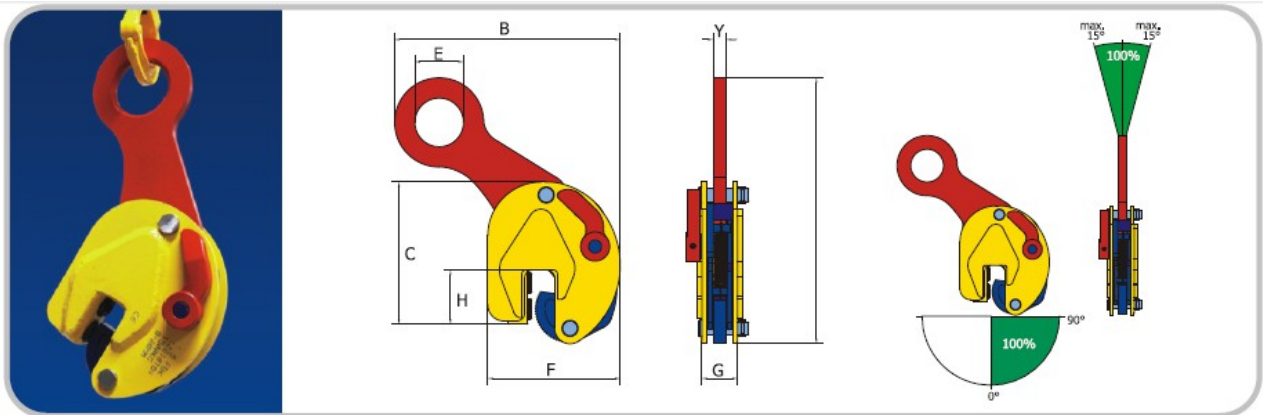




Vertical clamp type FBK / TOBK

- For lifting and transportation of steel beams, profiles and structures where the load must stay in position.
- The special shape of the lifting shackle, places the centre of the gravity of the beam to be lifted directly beneath the lifting shackle.
- This maintains the equilibrium of the beam once it has been lifted and keeps the flanges of the vertical so that the beam can easily be stacked or positioned.
- Especially recommended for transportation and stacking of steel beams (e.g. when sawing of steel beams, stacking of steel beams and building of steel constructions).
- Lifting capacity and jaw-opening are clearly engraved in the body.



Ref. nr.	Type	Capacity (kg)	Jaw-opening (A) (mm)	Dimensions in mm								Weight (kg/pc)
				B	C	D	E	F	G	H	Y	
851010	1 FBK	1000	0 - 15	175	148	226	35	130	35	47	15	3
851000	1.5 FBK	1500	0 - 20	265	200	345	60	165	56	67	16	8
851100	3 FBK	3000	0 - 25	325	235	410	72	192	77	65	20	16
851001	2 TOBK	2000	3 - 20	285	157	295	64	155	67	65	17	9.5