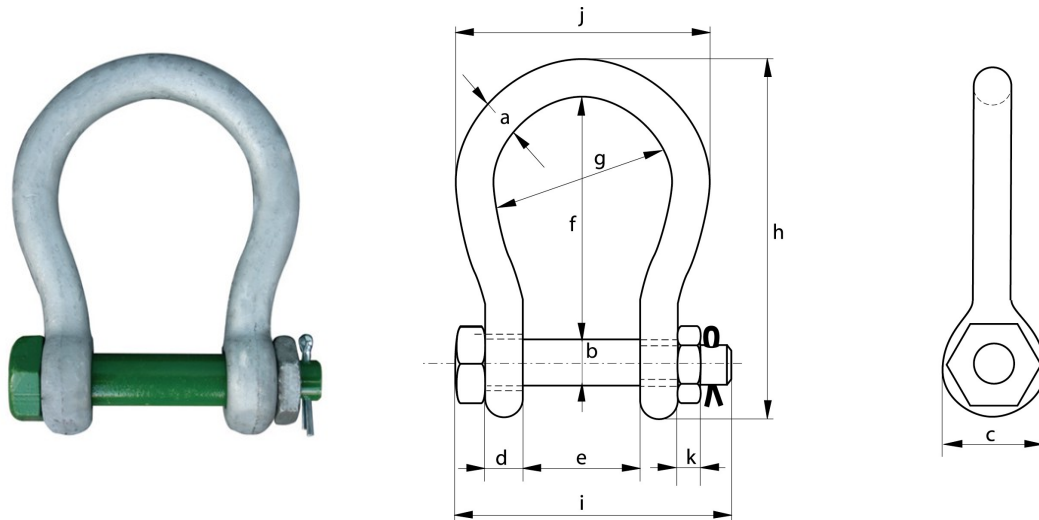




Green Pin Wide Mouth Towing Shackles – bow shackles with safety bolt code G-4263

- **Material** : bow and pin alloy steel, Grade 8, quenched and tempered
- **Safety Factor** : MBL equals 6 x WLL
- **Finish** : hot dipped galvanized
- **Temperature Range** : -20 °C up to + 200 °C
- **Certification** : at no extra charges this product can be supplied with a works certificate, material certificate, manufacturer test certificate and/or EC Declaration of Conformity



working load limit	diameter bow	diameter pin	diameter eye	width eye	width inside	length inside	width bow	length	length	length	width	thickness nut	weight each
t	a	b	c	d	e	f	g	h	i	j	k	kg	
	mm	mm	mm	mm	mm	mm	mm	mm	mm	mm	mm		
4.75	22	25	52	22	63	112	88	173	157	132	23	2.08	
6.5	25	28	59	25	75	135	105	204	182	155	25	3.14	
8.5	28	32	66	28	82	148	115	225	201	171	28	4.36	
9.5	32	35	72	32	90	162	126	248	217	190	31	5.95	
12	35	38	79	35	100	180	140	274	240	210	34	7.87	
16	38	42	88	38	106	216	159	319	248	235	19	12.5	
25	45	50	103	45	127	248	175	370	296	265	24	18	
30	50	57	118	50	146	273	207	411	338	307	27	25	
55	65	70	145	65	165	314	213	487	389	343	33	48	
75	75	83	166	75	184	330	254	530	432	404	40	70	