



## Electronic dynamometer – DIN 01 M

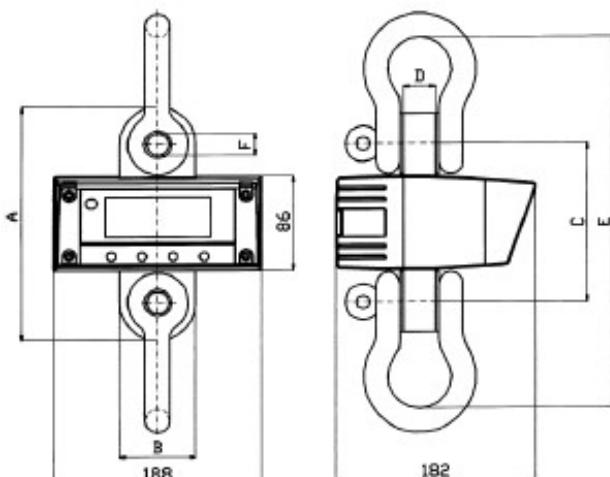
### MAIN CHARACTERISTICS

Complete group made of load cell and electronic weight indicator. Designed to weigh suspended loads.

- Construction: stainless steel load cell with ABS housing
- Load cell safe load limit: 200% of nominal capacity
- Breaking load coefficient: > 5
- Protection: IP62 (EN 60529)
- Working temperature:  $-5^{\circ}\text{C} \div +55^{\circ}\text{C}$
- Accuracy:  $\pm 0,1\%$  of the nominal load
- Power supply: n°3 battery Type "AA" (battery life 180h)
- Display indications: 5 digits, stable weight, battery life, measuring unit

#### - Features:

- Digital zero and weight settings;
- Digital filter selection (greater attenuation of weight oscillations)
- Automatic power-off selection
- Peak function and Hold function
- Measuring units selection (kg - N - kN - lb)



Portata	Divisione	Dimensioni (mm)						Peso
Capacity	Readability	A	B	C	D	E	F	Weight
3,2 t	1 kg	199	69	130	25	269	20	4,2
6,3 t	2 kg	213	69	144	35	348	26	6,5
10 t*	5 kg	265	100	181	50	455	36	9,6

PVC bag case

#### OPTIONAL:

Shackle for dynamometer 10 t (\*)