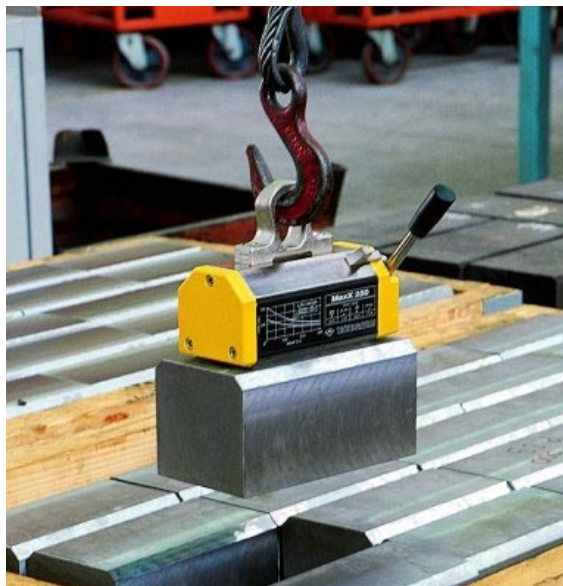


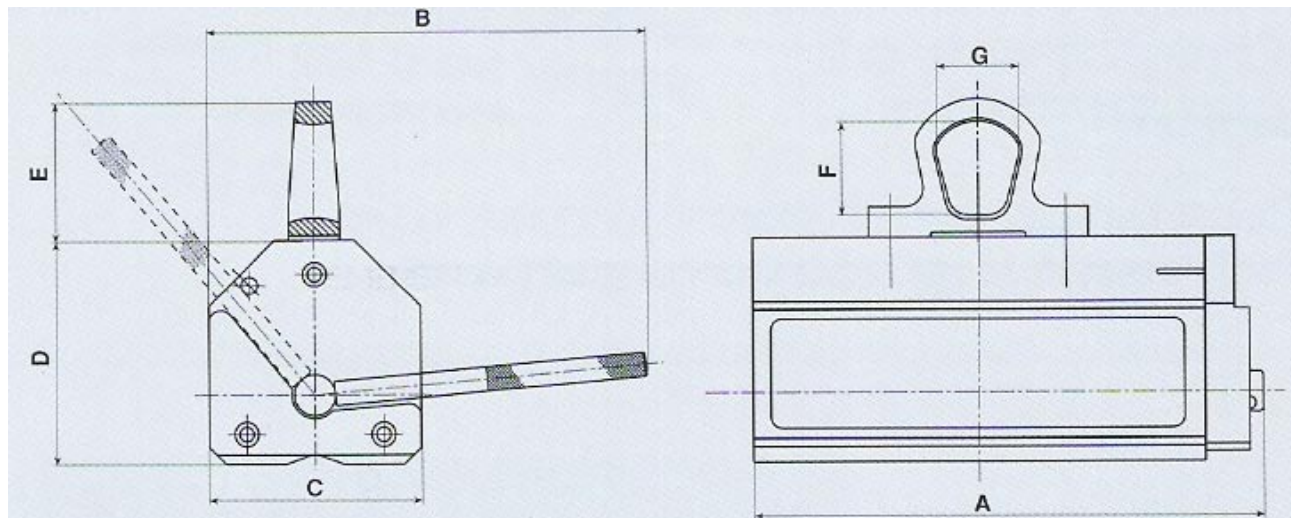


## Magnet permanent tip MaxX

- **Practic**
- **Elemente de blocare foarte usor de manevrat**
- **Putere ridicata amagnetilor permanenti**
- **Invelis nichelat pentru toate componentele fieroase**



<b>Model</b>	<b>Tip</b>	<b>Greutatea maxima garantata (kg)</b>	<b>Greutatea maxima de testare (kg)</b>	<b>Greutatea Magnetului/ Dispozitivului</b>
<b>MaxX 125</b>	Standard	125	375	3.7
<b>MaxX 250</b>	Standard	250	750	6.0
<b>MaxX 500</b>	Standard	500	1,500	15.0
<b>MaxX 1000</b>	Standard	1,000	3,000	34.0
<b>MaxX 1500</b>	Standard	1,500	4,500	66.0
<b>MaxX 2000</b>	Standard	2,000	6,000	80.0
<b>MaxX TG 150</b>	Grosimi reduce	150	450	6.0
<b>MaxX TG 300</b>	Grosimi reduce	300	900	16.0



Model	Weight kg	Dimensions mm						
		A	B	C	D	E	F	G
<b>MaxX 250</b>	6	189	185	79	79	63	43	35
<b>MaxX 500</b>	15	249	235	106	101	88	60	52
<b>MaxX 1000</b>	34	342	316	133	131	88	60	52
<b>MaxX 1500</b>	66	383	457	166	171	122	87	64
<b>MaxX 2000</b>	80	457	457	166	171	122	87	64

CARACTERISTICI DE INCARCARE					
FORMA PIESEI	MODELL	GREUTATEA MAX [kg]	GROSIMEA MIN [mm]	LUNGIMEA MAX [mm]	DIAMETRU MAX[mm]
PLAT	MaxX 125	125	20	1000	-
	MaxX 150TG	150	8	1500	-
	MaxX 250	250	20	1500	-
	MaxX 300TG	350	10	2000	-
	MaxX 500	500	25	2000	-
	MaxX 1000	1000	40	3000	-
	MaxX 1500	1500	45	3000	-
	MaxX 2000	2000	55	3000	-
ROTUND	MaxX 125	50	10	1000	300
	MaxX 250	100	10	1500	300
	MaxX 500	200	15	2000	400
	MaxX 1000	400	25	3000	450
	MaxX 1500	600	30	3000	500
	MaxX 2000	800	35	3000	600